

WHY PORTA DOOR FRAMES

- ADAPTING TO THE NEEDS
- WIDE OFFER
- STYLISTICS/DESIGN
- QUALITY OF PERFORMANCE
- MODERN MACHINE PARK
- FAST AND EASY ASSEMBLY
- KNOWLEDGE
- QUALITY OF SERVICE
- OPERATING PERSONNEL

TEV DOORS

PORTA
DOORS

10 YEAR
WARRANTY

ONE DOOR FRAME, MANY POSSIBILITIES

Steel door frames may constitute a set, not only with steel but also with wooden and glass door leaves. Thanks to the wide range of finishing colors the adaptation of a door frame to the style of surroundings and to a door leaf is not a problem. Regardless of the interior and its function, a set with a steel frame can be applied practically everywhere.

Steel door frame + Wooden door leaf

Such a set is mostly used in houses, apartments, public buildings such as train stations, airports, sport facilities, schools or theaters where high durability and resistance of a door frame is required. To keep a friendly and cosy atmosphere in the interior, a set with a solid steel door frame should be accompanied with a classic wooden door leaf.



Steel door frame + Steel door leaf

This is the most classic solution for utility rooms, technical rooms, garages, underground car parkings and basements where an additional security against damages associated with frequent use and difficult environment conditions (humidity, low temperature) is required. The set is available as internal and external doors.



Steel door frame + Glass door leaf

Glass door leaf combined with a steel door frame is a very popular choice among architects. This trend is maintained in recent years.



EXAMPLES OF METAL DOOR FRAMES USE



SHOPPING CENTRE
Steel door frame + Wooden door leaf



SCHOOL
Steel door frame + Wooden door leaf



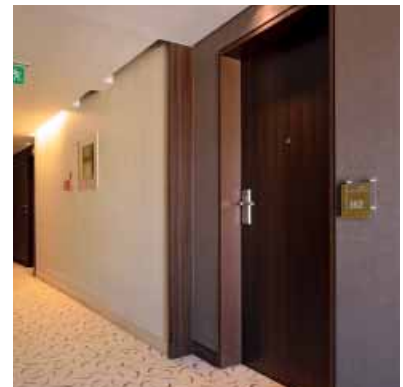
ART CENTER
Steel door frame + Steel door leaf



SPORTS HALL
Steel door frame + Steel door leaf



SCIENCE CENTER
Steel door frame + Steel door leaf



HOTEL
Steel door frame + Wooden door leaf



ART CENTER
Steel door frame + Steel door leaf



APARTMENTS
Steel door frame + Glass door leaf



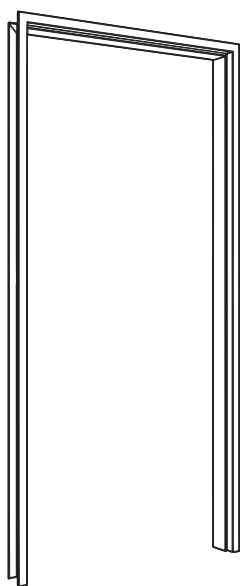
GARAGE HALL
Steel door frame + Steel door leaf

BASIC INFORMATION about steel door frames

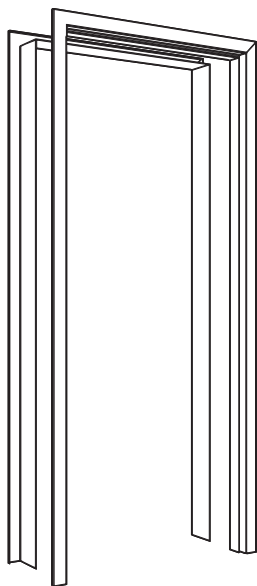
PORTA steel frames made with profile shapes of steel sheet 1.2 mm thick are intended to be used in internal interior doors or internal entrance doors. They can be used for such purpose due to the strength requirements in operating terms classified in Class 3, according to the criteria specified in the norm PN-EN 1192: 2001.

PORTA steel door frames made with profile shapes of steel sheet 1.5 ÷ 2.0 mm thick are intended to be used in external or internal entrance doors, including fire resistant doors and with increased resistance to burglary. These door frames can be used due to the strength requirements in the operating terms classified in Class 4, according to the criteria specified in the norm PN-EN 1192: 2001.

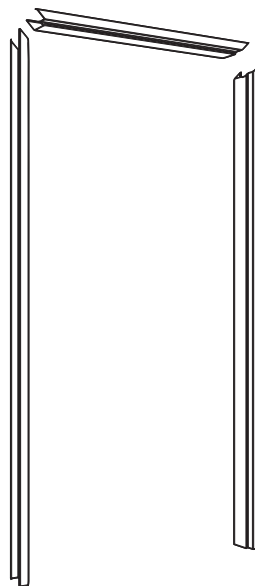
VERSIONS OF DOOR FRAMES MANUFACTURING



**1 - piece
(corner, angle-bar)**
for masonry walls,
concrete and
plasterboard walls



**2 - piece
(covering)**
for assembly on masonry
walls, concrete and
plasterboard walls



**3 - piece
(angle-bar, covering)**
for assembly on finished
wall, easy to assembly

ASSEMBLY METHOD

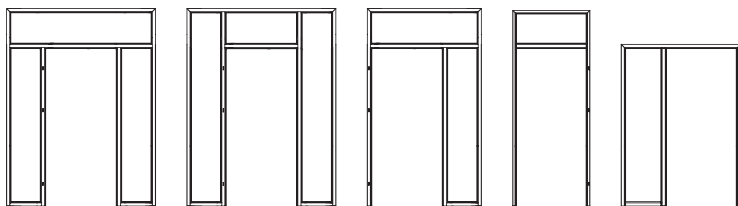
Various methods of assembly allow to fit to wall and door frame type





TRANSOMS

- Top
- Side
- Top and side



SEALS

Made of material of high mechanical properties and good shape memory, which guarantees optimal smoke protection and sound insulation

ACCESSORIES

from main european producers
(look page 36)

- Hinges
- Self-closers
surfaced (rail, arm hidden)
- Lock strikers
integrated striker plates made of stainless steel
- Electric Strikers
- Electric Holders
- Multiple-point locking
- Locking for mortice
multipoint locks

DOOR FRAMES TYPES

Door frames for unrebated doors

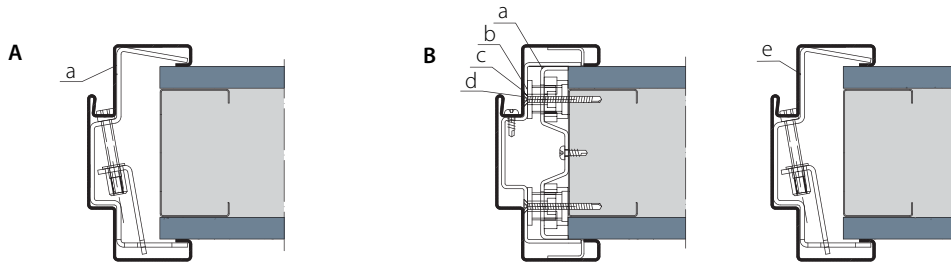


Door frames for rebated doors



COVERING DOOR FRAMES

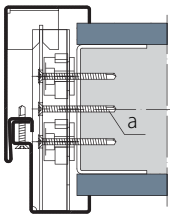
METHODS OF ANCHORING STEEL COVERING FOLDED INTERIOR DOOR FRAMES



A. Method of anchoring to light door leaves
a) assembly on plasterboard wall with clamping anchors [a] bolted with screws

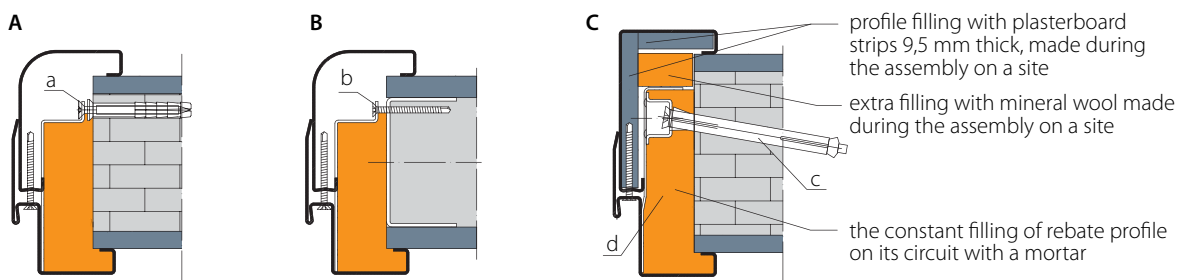
B. method of anchoring to heavy door leaves
a) assembly of an anchor on plasterboard wall [a] with self-drilling screw
b) regulation of the dimension and the vertical with regulating elements [b]
c) fastening of second part of an anchor [c] and bolting with self-drilling screws
d) installing a door frame stand [d] and screwing in rebate with self-drilling screws
e) screwing of clamping anchors [e] with screws

METHODS OF ANCHORING STEEL COVERING FIXED DOOR FRAMES ON PLASTERBOARD WALL (S.C. DRY ASSEMBLY)



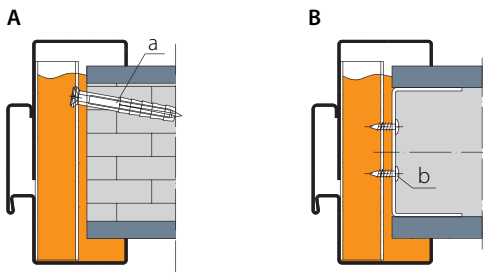
Assembly on plasterboard wall with self-drilling screws [a] (s.c. dry assembly).

METHODS OF ANCHORING STEEL ADJUSTABLE DOOR FRAMES WITH R PROFILE



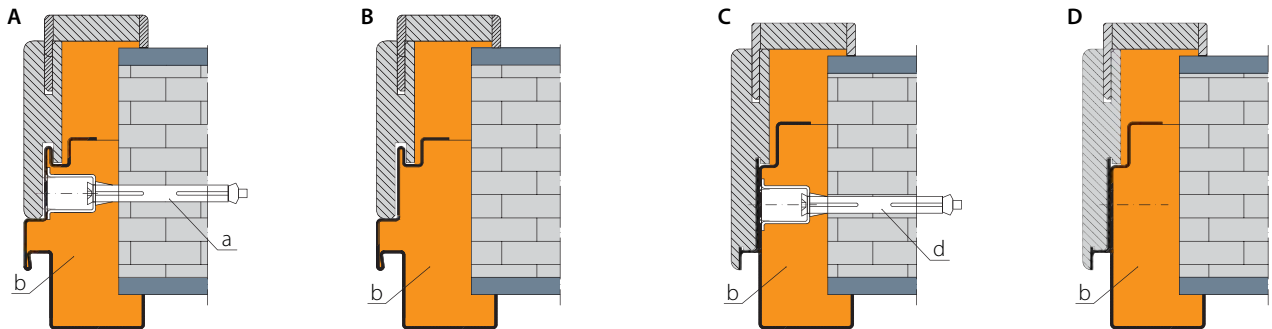
a) assembly on masonry wall with expansion bolts [a] and mounting foam
b) assembly in plasterboard wall with self-drilling screws [b] and mounting foam
c) assembly of technical door frames in masonry wall with metal dowels [c] and mortar [d]

METHODS OF ANCHORING STEEL ADJUSTABLE PS DOOR FRAMES WITH SHARP EDGES



- a) assembly in masonry wall with expansion bolts [a] and mounting foam
- b) assembly in plasterboard wall with self-drilling screws [b] and mounting foam

METHODS OF ANCHORING STEEL DOOR FRAMES OF PROJECT / PROJECT PREMIUM PROFILE



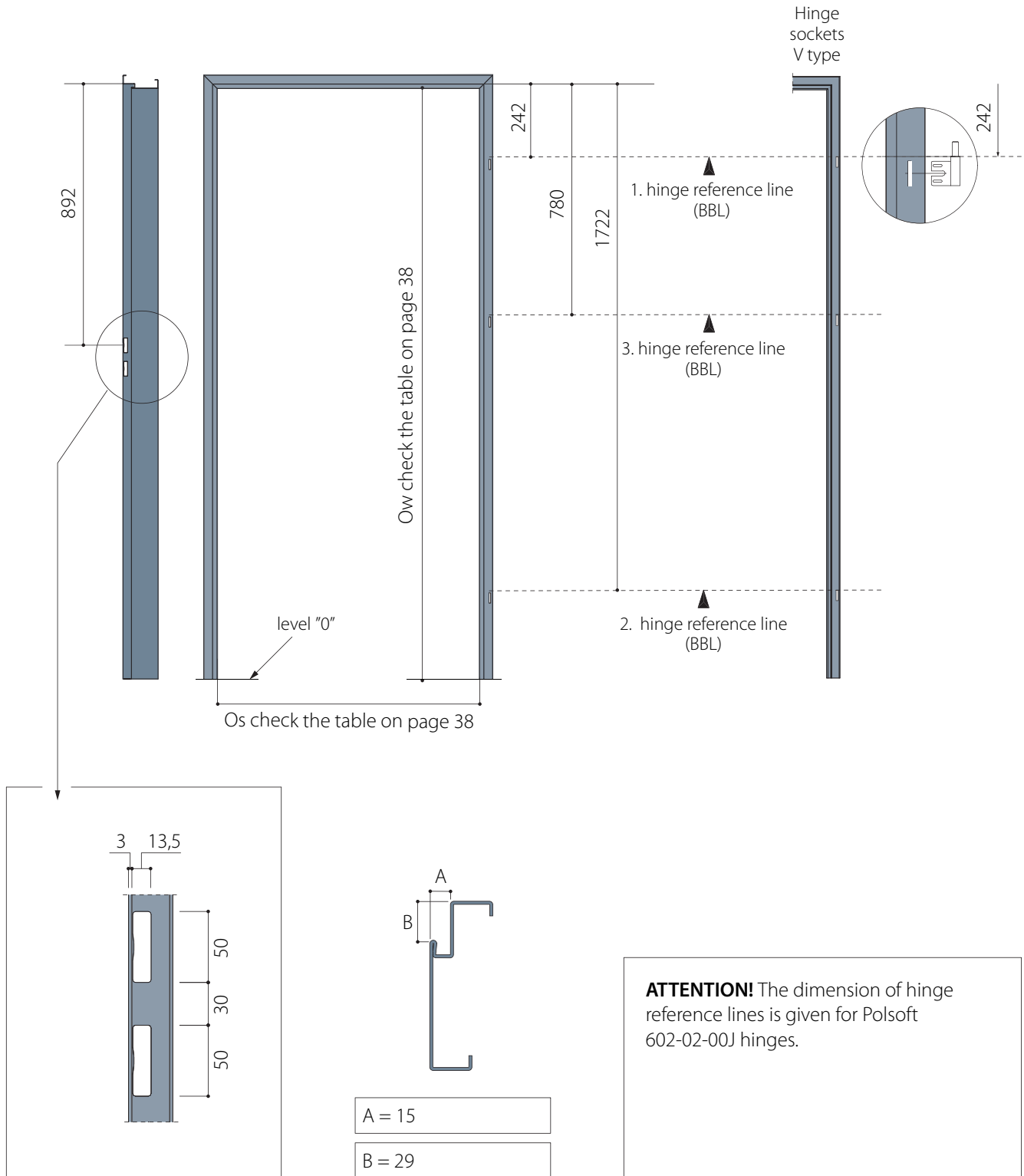
- a) assembly of door frames with PROJECT profile with metal dowels [a] and mounting foam or mortar [b]
- b) assembly of door frames with PROJECT profile with mounting foam or mortar [b]
- c) assembly of door frames with PROJECT Premium profile with metal dowels [a] and mounting foam or mortar [b]
- d) assembly of door frames with PROJECT Premium profile with mounting foam or mortar [b]

ASSEMBLY VIDEOS
AVAILABLE AT THE ADDRESS:



DOOR FRAME DIMENSIONS

TO INTERIOR DOOR LEAVES ACCORDING TO PN
FROM THE STANDARD PORTA OFFER



EXEMPLARY ACCESSORIES

LOCK STRIKERS, ELECTRIC STRIKERS



Lock striker



Stainless steel striking plate adapted to electric striker with ProFix system



Stainless steel striking plate adapted to electric striker with ProFix system in unrebated version



Striking plate in door frame color adapted to electric striker



Striking plate in door frame color adapted to electric striker in unrebated version

DOOR CLOSERS



Surface arm door closer



Surface rail door closer



Hidden door closer



The rail of hidden door closer

THRESHOLDS



Stainless steel threshold dedicated to Porta door frames

EXEMPLARY ACCESSORIES

EXEMPLARY HINGES



Hinge socket, V type



Hinge socket, Anuba type



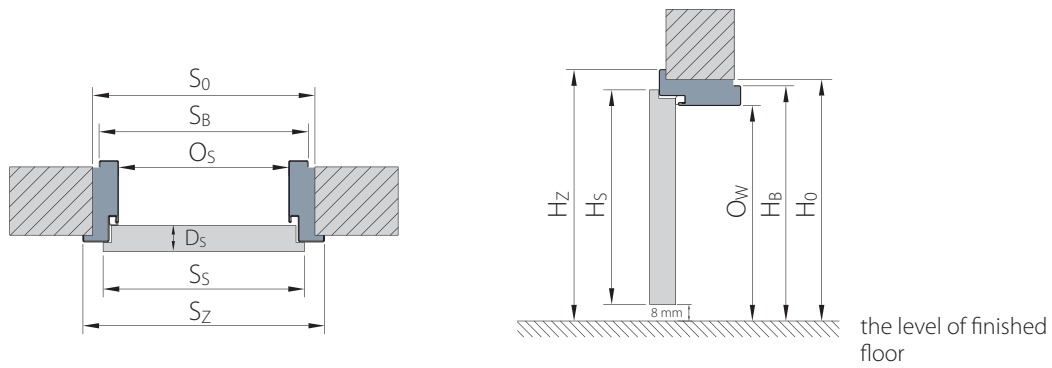
Hinge socket, VX type



We cooperate with:



EXPLANATION OF SYMBOLS



LEGEND OF DIMENSIONS

- S_s total door leaf width, including rebates
- H_s total door leaf height, including rebate
- D_s thickness of door leaf
- S_0 width of wall opening ready for door frame setting
- H_0 height of wall opening ready for door frame setting, measured from the finished floor level
- O_s clear width of the door frame
- O_w clear height of the door frame (for the doors with a threshold the height of threshold is deducted from this dimension)
- S_B width of door frame, architraves exclude
- H_B height of door frame, architraves excluded
- S_Z total width of door frame, including architraves
- H_Z total height of door frame, including architraves
- $T_{s/w}$ permissible deviation from width/height of wall opening

TABLES OF DIMENSIONS of door frames available in basic offer

CORNER DOOR FRAMES

Type of door frame	Porta collection name	Size	S_s	H_s	D_s	S_0	H_0	O_s	O_w	S_B	H_B	S_Z	H_Z	$T_{s/w}$
Fixed dedicated to interior doors	Angle-bar small	60	644	2030	40	650	2045	596	2016	629	2033	686	2061	$\pm 10 / \pm 5$
		70	744			750		696		729		786		
		80*	844			850		796		829		886		
		90*	944			950		896		929		986		
		100	1044			1050		996		1029		1086		
	Angle-bar small dedicated to Metal Basic doors	80	852	2030	40	860	2045	804	2016	837	2033	894	2061	$\pm 10 / \pm 5$
		90	952			960		904		937		994		
		100	1052			1060		1004		1037		1094		
		70	715			760		700		739		796		
		80	815			860		800		839		896		
Universal for utility rooms	90	915	2017	40***	960	2050	900	2018	939	2038	996	2066	$\pm 10 / \pm 5$	
	60	700			695		640		673		730			
	70	800			795		740		773		830			
Fixed dedicated to Porta technical doors	Metal EI 30	80	900	2054	53	895	2065	840	2037	873	2053	930	2082	$\pm 10 / \pm 5$
		90	1000			995		940		973		1030		
		80	916			930		840		911		977		
		90	1016			1030		940		1011		1077		
		100	1116			1130		1040		1111		1177		
	Metal EI 60	80	916	2054	67	930	2075	840	2029	911	2064	977	2097	$\pm 10 / \pm 5$
		90	1016			1030		940		1011		1077		
		100	1116			1130		1040		1111		1177		

ANGLE-BAR DOOR FRAMES

Type of door frame	Porta collection name	Size	S_s	H_s	D_s	S_0	H_0	O_s	O_w	S_B	H_B	S_Z	H_Z	$T_{s/w}$
Fixed dedicated to interior doors	Angle-bar large for masonry walls	60	644	2030	40	675	2055	596	2016	656	2046	686	2061	$\pm 10 / \pm 5$
		70	744			775		696		756		786		
		80*	844			875		796		856		886		
		90*	944			975		896		956		986		
		100	1044			1075		996		1056		1086		
	Angle-bar large for plasterboard walls	110	1144	1175	1096	1156	1186							
		60	644	2030	40	680	2055	596	2016	656	2046	686	2061	$+10 / +5$
		70	744			780		696		756		786		
		80*	844			880		796		856		886		
		90*	944			980		896		956		986		
100	1044	1080	996			1056		1086						
110	1144	1180	1096	1156	1186									

Folded dedicated to interior doors	Stainless steel folded angle-bar large	60	644	2030	40	675	2055	596	2016	656	2046	686	2061	±10 / ±5
		70	744			775		696		756		786		
		80*	844			875		796		856		886		
		90*	944			975		896		956		986		
		100	1044			1075		996		1056		1086		
	Folded angle-bar large in PVC covering	60	644	2030	40	675	2055	596	2016	656	2046	706	2071	±10 / ±5
		70	744			775		696		756		806		
		80*	844			875		796		856		906		
		90*	944			975		896		956		1006		
		100	1044			1075		996		1056		1106		
Fixed, to Porta interior entrance doors	AGATE, OPAL, QUARTZ, GRANITE	80	844	2030	40 / 44 44 / 48 45 / 47	875	2055	796	2016**	856	2046	906	2071	±10 / ±5
		90	952			985		904		964		1014		
		100	1044			1075		996		1056		1106		
Fixed, to PORTA technical doors	ENDURO	60	644	2030	40	675	2055	596	2016	656	2046	686	2061	±10 / ±5
		70	744			775		696		756		786		
		80	844			875		796		856		886		
		90	952			985		904		964		994		
		100	1044			1075		996		1056		1086		
	ENDURO - swinging version	60	618	2017	40	750	2085	638	2030	728	2075	728	2075	±10 / ±5
		70	718			850		738		828		828		
		80	818			950		838		928		928		
		90	918			1050		938		1028		1028		
		100	1018			1150		1038		1128		1128		
	AQUA	60	618	2017	40	675	2055	596	2016	656	2046	686	2061	±10 / ±5
		70	718			775		696		756		786		
		80	818			875		796		856		886		
		90	926			983		904		964		994		
		100	1018			1075		996		1056		1086		
	EI 30, Rw 27 dB, Rw 32 dB	60	644	2030	44 / 48 40 / 44 44 / 48	675	2055	596	2013	656	2043	706	2068	±10 / ±5
		70	744			775		696		756		806		
		80	844			875		796		856		906		
		90	952			985		904		964		1014		
		100	1044			1075		996		1056		1106		
	SILENCE Rw 37 dB rebated	80	844	2030	49	875	2055	796	2013	856	2043	906	2068	+10 / +5
		90	952			985		904		964		1014		
		100	1044			1075		996		1056		1106		
	SILENCE Rw 37 dB unrebated	80	818	2017	49	875	2055	795	2013	855	2043	905	2068	+10 / +5
90		968	1025			945		1005		1055				
100		1018	1075			995		1055		1105				
Rw 42 dB	80	888	2047	69	890	2055	810	2015	870	2045	950	2085	±10 / ±5	
	90	988			990		910		970		1050			
	100	1088			1090		1010		1070		1150			
EI 60	60	668	2030	61 / 65	700	2055	622	2013	682	2043	732	2068	±10 / ±5	
	70	768			800		722		782		832			
	80	868			900		822		882		932			
	90	968			1000		922		982		1032			

COVERING DOOR FRAMES

Type of door frame	Porta collection name	Size	S _s	H _s	D _s	S ₀	H ₀	O _s	O _w	S _B	H _B	S _Z	H _Z	T _{sw}
Adjustable dedicated to interior doors	Adjustable PS with „sharp edges“	60	644	2030	40	700	2070	596	2016	679	2058	736	2086	-10 / -5
		70	744			800		696		779		836		
		80*	844			900		796		879		936		
		90*	944			1000		896		979		1036		
		100	1044			1100		996		1079		1136		
	Adjustable PS (with R profile)	60	644	2030	40	700	2070	596	2016	680	2058	716	2076	-10 / -5
		70	744			800		696		780		816		
		80*	844			900		796		880		916		
		90*	944			1000		896		980		1016		
		100	1044			1100		996		1080		1116		
Adjustable dedicated to PORTA entrance doors	PROJECT, PROJECT PREMIUM for doors: AGATE, OPAL, QUARTZ, GRANITE	60	644	2030	40	675	2055	596	2016	656	2046	686	2061	±10 / ±5
		70	744			775		696		756		786		
		80*	844			875		796		856		886		
		90	944			975		896		956		986		
		100	1044			1075		996		1056		1086		
Adjustable dedicated to PORTA technical doors	PROJECT, PROJECT PREMIUM to doors EI30, Rw 27 dB, Rw 32dB	80	844	2030	40/44 44/48 45/47	900	2070	796	2013	880	2055	936	2086	±10 / ±5
		90	952			1010		904		988		1044		
		100	1044			1100		996		1080		1136		
		60	668			725		622		706		762		
		70	768			825		722		806		862		
	PROJECT, PROJECT PREMIUM to EI60 doors	80	868	2030	61/65	925	2070	822	2013	906	2055	962	2083	±10 / ±5
		90	968			1025		922		1006		1062		
		80	888			915		810		894		950		
		90	988			1015		910		994		1050		
		100	1088			1115		1010		1094		1150		

* **ATTENTION!** Investor's orders (opening 800, 900 mm) – available as standard – no extra charge (investment norm - 8 mm must be added to O_w). Please remember to select the correct size of door leaves for the particular set.

** The use of metal threshold will decrease given size by 16 mm.

** The door leaf thickness measured on vertical edges / more information in Investment Catalogue.

NOTES:

- Size tolerance in accordance with the Polish Standard (PN): up to 1 m: ± 1 mm, above 1 m: ± 2 mm.
- Door frames are designed for installation on completed floors. Metal frames may be ordered 30 mm longer, to mount their ends in concrete. Then, the H_B and H_Z must be increased by 30 mm (level_{1,-30'}).

COMPREHENSIVE OFFER OF PORTA GROUP

A wide selection of Porta doors allows you to choose the right product according to both the customer's taste and needs. We continuously follow the trends in design, to make our offer valid and attractive. We make sure that the product colours meet the customer's tastes. At the same time we pay attention to detail, which is why Porta is a brand that combines functional solutions with high quality.



INTERIOR DOORS in synthetic veneers

We offer a wide range of door designs and veneers for houses, apartments, lofts and offices. Both lovers of classic designs as well as people interested in the latest trends will find a product meeting their needs in our offer.



INTERIOR DOORS in natural veneers

For the lovers of good taste, impressive and elegant solutions, we have prepared a collection of doors in natural veneers. Here you can find both traditional and modern doors.



INTERIOR ENTRANCE DOORS

Porta interior entrance doors are available as reinforced doors, fireproof doors and burglarproof doors. It is worth mentioning that the entrance doors have the same colour scheme as the doors to the rooms. Therefore, it is easy to match the colour of the entrance door to the doors inside the apartment.



EXTERIOR ENTRANCE DOORS

Exterior doors complement the style of the building, as well as provide protection against noise, cold and moisture. Porta doors have exceptional thermal insulation properties, which combined with the use of effective anti-theft solutions ensure a sense of security and comfort.



TECHNICAL DOORS

Technical doors are an indispensable complement to the series of doors used in public buildings, shopping malls, cinemas, etc. Such doors can also be found in use in residential houses. A wide range of Porta technical doors allows to meet all the requirements of the building in the area of fire protection and sound insulation.



STEEL DOORS

The use of high-quality galvanised and acid-proof steel allows us to offer doors resistant to weather conditions and aggressive environments in laboratories, swimming pools, etc. Steel doors are perfect for technical areas of commercial buildings, garages, basements and areas with increased hygienic requirements.



DOOR FRAMES, TRANSOMS

A wide range of Porta door frames, both steel and wooden, makes it possible to match the parameters and properties that meet all the expectations of the designer or user. The same type and colour of the veneer as the door leaf allows us to offer a complete door set with uniform visual and functional parameters.



PANELS, BUILT-IN FURNITURE

Continuously growing interest in door portals and all kinds of built-in furniture was reflected in Porta's product offer. We offer wall panels made of panels with a properly chosen thickness and any size, veneered with the same veneer as the door. This allows us to create complex, visually uniform built-in furniture in the immediate surroundings of the door.

We will adapt door frame to your needs

Fill in empty spaces with sizes of your door frame

Hinge socket type VX

Hinge socket type V

Hinge socket type Anuba

1. hinge reference line (BBL)

3. hinge reference line (BBL)

2. hinge reference line (BBL)

level „0”

Ow

Os

To single-rebate door leaves

To double-rebate door leaves

Hinge type:

50

30

50

A =

B =

C =

D =

Left

Right

Additional information:

Ow - height of clear opening in door frame
Os - width of clear opening in door frame

K Orders not included in standard offer are proceeded by dedicated Contract Department.



Set consisting of door frame and stainless steel door leaf used in a medical laboratory

PORTA KMI Poland Sp. z o.o. Spółka Komandytowa

Szkolna 54, 84-239 Bolszewo, Poland
phone: +48 / 58 677 81 00, fax: +48 / 58 677 81 99
e-mail: info@porta.com.pl

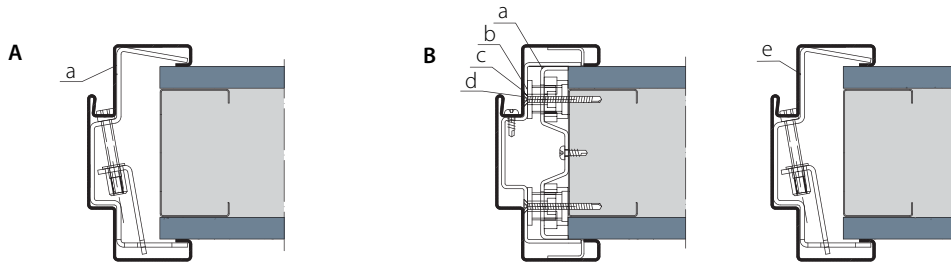


- PORTA's factories
- PORTA dealers network



COVERING DOOR FRAMES

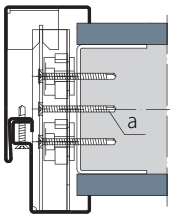
METHODS OF ANCHORING STEEL COVERING FOLDED INTERIOR DOOR FRAMES



A. Method of anchoring to light door leaves
a) assembly on plasterboard wall with clamping anchors [a] bolted with screws

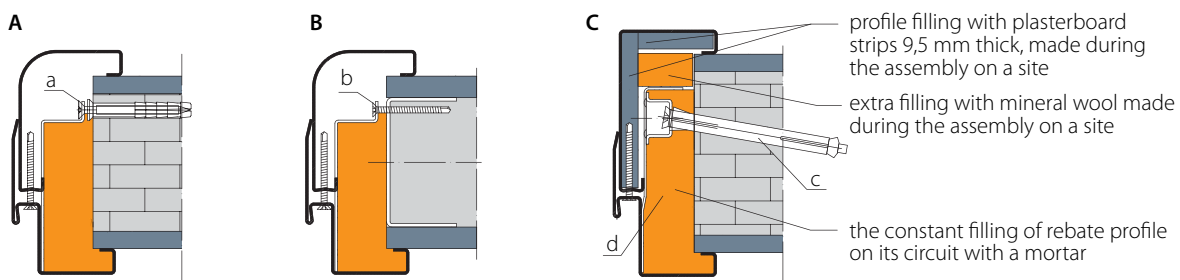
B. method of anchoring to heavy door leaves
a) assembly of an anchor on plasterboard wall [a] with self-drilling screw
b) regulation of the dimension and the vertical with regulating elements [b]
c) fastening of second part of an anchor [c] and bolting with self-drilling screws
d) installing a door frame stand [d] and screwing in rebate with self-drilling screws
e) screwing of clamping anchors [e] with screws

METHODS OF ANCHORING STEEL COVERING FIXED DOOR FRAMES ON PLASTERBOARD WALL (S.C. DRY ASSEMBLY)



Assembly on plasterboard wall with self-drilling screws [a] (s.c. dry assembly).

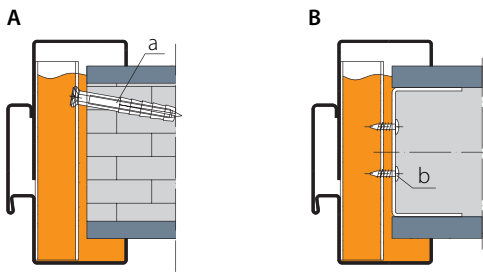
METHODS OF ANCHORING STEEL ADJUSTABLE DOOR FRAMES WITH R PROFILE



a) assembly on masonry wall with expansion bolts [a] and mounting foam
b) assembly in plasterboard wall with self-drilling screws [b] and mounting foam
c) assembly of technical door frames in masonry wall with metal dowels [c] and mortar [d]

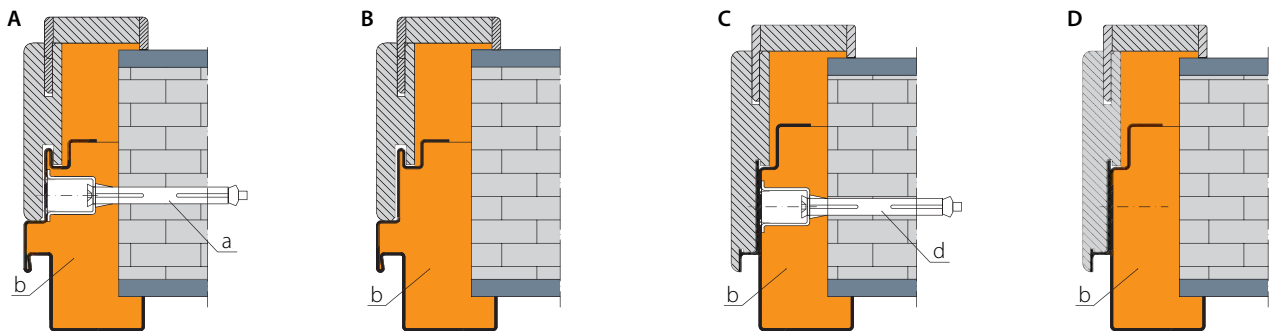
profile filling with plasterboard strips 9,5 mm thick, made during the assembly on a site
extra filling with mineral wool made during the assembly on a site
the constant filling of rebate profile on its circuit with a mortar

METHODS OF ANCHORING STEEL ADJUSTABLE PS DOOR FRAMES WITH SHARP EDGES



- a) assembly in masonry wall with expansion bolts [a] and mounting foam
- b) assembly in plasterboard wall with self-drilling screws [b] and mounting foam

METHODS OF ANCHORING STEEL DOOR FRAMES OF PROJECT / PROJECT PREMIUM PROFILE



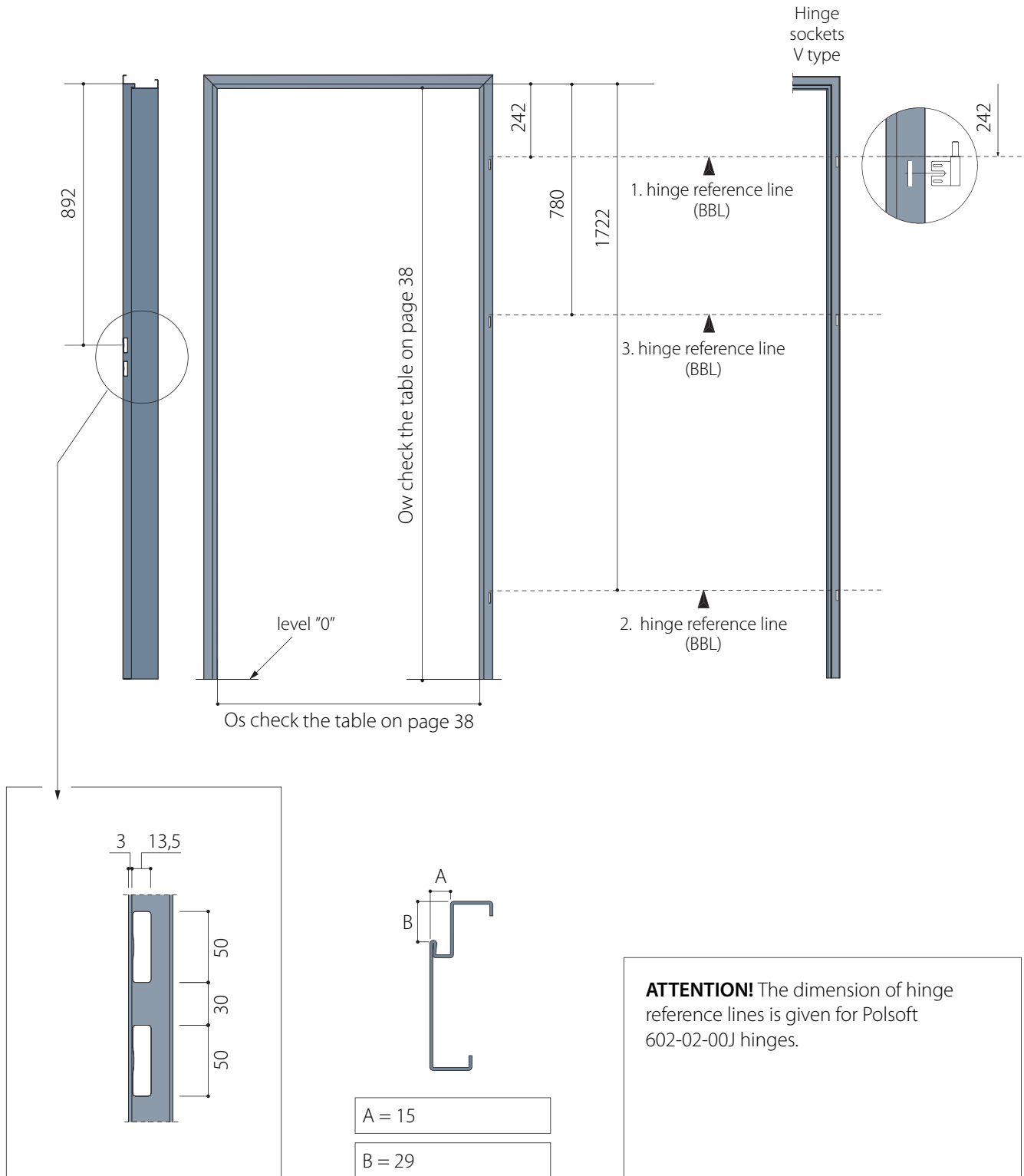
- a) assembly of door frames with PROJECT profile with metal dowels [a] and mounting foam or mortar [b]
- b) assembly of door frames with PROJECT profile with mounting foam or mortar [b]
- c) assembly of door frames with PROJECT Premium profile with metal dowels [a] and mounting foam or mortar [b]
- d) assembly of door frames with PROJECT Premium profile with mounting foam or mortar [b]

ASSEMBLY VIDEOS
AVAILABLE AT THE ADDRESS:



DOOR FRAME DIMENSIONS

TO INTERIOR DOOR LEAVES ACCORDING TO PN
FROM THE STANDARD PORTA OFFER



EXEMPLARY ACCESSORIES

LOCK STRIKERS, ELECTRIC STRIKERS



Lock striker



Stainless steel striking plate adapted to electric striker with ProFix system



Stainless steel striking plate adapted to electric striker with ProFix system in unrebated version



Striking plate in door frame color adapted to electric striker



Striking plate in door frame color adapted to electric striker in unrebated version

DOOR CLOSERS



Surface arm door closer



Surface rail door closer



Hidden door closer



The rail of hidden door closer

THRESHOLDS



Stainless steel threshold dedicated to Porta door frames

EXEMPLARY ACCESSORIES

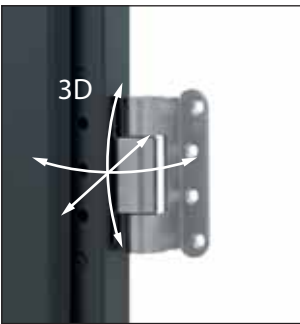
EXEMPLARY HINGES



Hinge socket, V type



Hinge socket, Anuba type



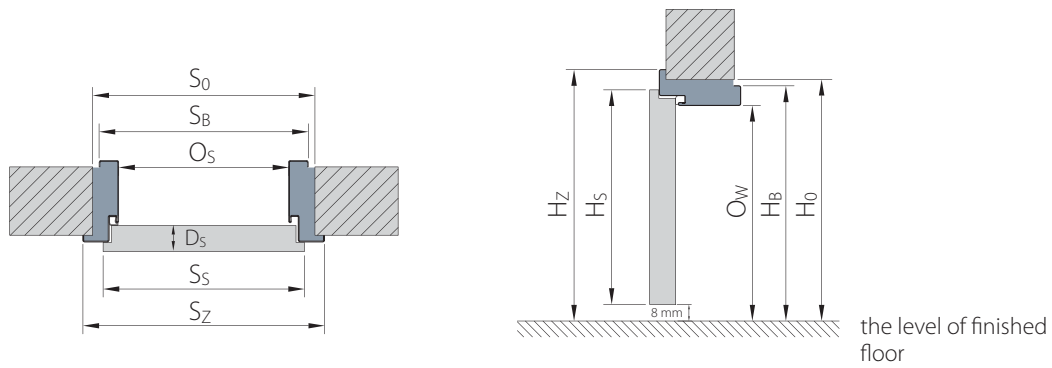
Hinge socket, VX type



We cooperate with:



EXPLANATION OF SYMBOLS



LEGEND OF DIMENSIONS

- S_s total door leaf width, including rebates
- H_s total door leaf height, including rebate
- D_s thickness of door leaf
- S_0 width of wall opening ready for door frame setting
- H_0 height of wall opening ready for door frame setting, measured from the finished floor level
- O_s clear width of the door frame
- O_w clear height of the door frame (for the doors with a threshold the height of threshold is deducted from this dimension)
- S_B width of door frame, architraves exclude
- H_B height of door frame, architraves excluded
- S_Z total width of door frame, including architraves
- H_Z total height of door frame, including architraves
- $T_{s/w}$ permissible deviation from width/height of wall opening

TABLES OF DIMENSIONS of door frames available in basic offer

CORNER DOOR FRAMES

Type of door frame	Porta collection name	Size	S_s	H_s	D_s	S_0	H_0	O_s	O_w	S_B	H_B	S_Z	H_Z	$T_{s/w}$
Fixed dedicated to interior doors	Angle-bar small	60	644	2030	40	650	2045	596	2016	629	2033	686	2061	$\pm 10 / \pm 5$
		70	744			750		696		729		786		
		80*	844			850		796		829		886		
		90*	944			950		896		929		986		
		100	1044			1050		996		1029		1086		
	Angle-bar small dedicated to Metal Basic doors	80	852	2030	40	860	2045	804	2016	837	2033	894	2061	$\pm 10 / \pm 5$
		90	952			960		904		937		994		
		100	1052			1060		1004		1037		1094		
		70	715			760		700		739		796		
		80	815			860		800		839		896		
Universal for utility rooms	90	915	2017	40***	960	2050	900	2018	939	2038	996	2066	$\pm 10 / \pm 5$	
	60	700			695		640		673		730			
	70	800			795		740		773		830			
Fixed dedicated to Porta technical doors	Metal EI 30	80	900	2054	53	895	2065	840	2037	873	2053	930	2082	$\pm 10 / \pm 5$
		90	1000			995		940		973		1030		
		80	916			930		840		911		977		
		90	1016			1030		940		1011		1077		
		100	1116			1130		1040		1111		1177		
	Metal EI 60	80	916	2054	67	930	2075	840	2029	911	2064	977	2097	$\pm 10 / \pm 5$
		90	1016			1030		940		1011		1077		
		100	1116			1130		1040		1111		1177		

ANGLE-BAR DOOR FRAMES

Type of door frame	Porta collection name	Size	S_s	H_s	D_s	S_0	H_0	O_s	O_w	S_B	H_B	S_Z	H_Z	$T_{s/w}$
Fixed dedicated to interior doors	Angle-bar large for masonry walls	60	644	2030	40	675	2055	596	2016	656	2046	686	2061	$\pm 10 / \pm 5$
		70	744			775		696		756		786		
		80*	844			875		796		856		886		
		90*	944			975		896		956		986		
		100	1044			1075		996		1056		1086		
	Angle-bar large for plasterboard walls	110	1144	1175	1096	1156	1186							
		60	644	2030	40	680	2055	596	2016	656	2046	686	2061	$+10 / +5$
		70	744			780		696		756		786		
		80*	844			880		796		856		886		
		90*	944			980		896		956		986		
100	1044	1080	996			1056		1086						
110	1144	1180	1096	1156	1186									

Folded dedicated to interior doors	Stainless steel folded angle-bar large	60	644	2030	40	675	2055	596	2016	656	2046	686	2061	±10 / ±5
		70	744			775		696		756		786		
		80*	844			875		796		856		886		
		90*	944			975		896		956		986		
		100	1044			1075		996		1056		1086		
	110	1144	1175	1096	1156	1186								
	Folded angle-bar large in PVC covering	60	644	2030	40	675	2055	596	2016	656	2046	706	2071	±10 / ±5
		70	744			775		696		756		806		
		80*	844			875		796		856		906		
		90*	944			975		896		956		1006		
100		1044	1075			996		1056		1106				
110	1144	1175	1096	1156	1206									
Fixed, to Porta interior entrance doors	AGATE, OPAL, QUARTZ, GRANITE	80	844	2030	40 / 44 44 / 48 45 / 47	875	2055	796	2016**	856	2046	906	2071	±10 / ±5
90	952	985	904			964		1014						
100	1044	1075	996			1056		1106						
Fixed, to PORTA technical doors	ENDURO	60	644	2030	40	675	2055	596	2016	656	2046	686	2061	±10 / ±5
		70	744			775		696		756		786		
		80	844			875		796		856		886		
		90	952			985		904		964		994		
		100	1044			1075		996		1056		1086		
	ENDURO - swinging version	60	618	2017	40	750	2085	638	2030	728	2075	728	2075	±10 / ±5
		70	718			850		738		828		828		
		80	818			950		838		928		928		
		90	918			1050		938		1028		1028		
		100	1018			1150		1038		1128		1128		
	AQUA	60	618	2017	40	675	2055	596	2016	656	2046	686	2061	±10 / ±5
		70	718			775		696		756		786		
		80	818			875		796		856		886		
		90	926			983		904		964		994		
		100	1018			1075		996		1056		1086		
	EI 30, Rw 27 dB, Rw 32 dB	60	644	2030	44 / 48 40 / 44 44 / 48	675	2055	596	2013	656	2043	706	2068	±10 / ±5
		70	744			775		696		756		806		
		80	844			875		796		856		906		
		90	952			985		904		964		1014		
		100	1044			1075		996		1056		1106		
	SILENCE Rw 37 dB rebated	80	844	2030	49	875	2055	796	2013	856	2043	906	2068	+10 / +5
		90	952			985		904		964		1014		
		100	1044			1075		996		1056		1106		
	SILENCE Rw 37 dB unrebated	80	818	2017	49	875	2055	795	2013	855	2043	905	2068	+10 / +5
90		968	1025			945		1005		1055				
100		1018	1075			995		1055		1105				
Rw 42 dB	80	888	2047	69	890	2055	810	2015	870	2045	950	2085	±10 / ±5	
	90	988			990		910		970		1050			
	100	1088			1090		1010		1070		1150			
EI 60	60	668	2030	61 / 65	700	2055	622	2013	682	2043	732	2068	±10 / ±5	
	70	768			800		722		782		832			
	80	868			900		822		882		932			
	90	968			1000		922		982		1032			

COVERING DOOR FRAMES

Type of door frame	Porta collection name	Size	S _s	H _s	D _s	S ₀	H ₀	O _s	O _w	S _B	H _B	S _Z	H _Z	T _{sw}
Adjustable dedicated to interior doors	Adjustable PS with „sharp edges“	60	644	2030	40	700	2070	596	2016	679	2058	736	2086	-10 / -5
		70	744			800		696		779		836		
		80*	844			900		796		879		936		
		90*	944			1000		896		979		1036		
		100	1044			1100		996		1079		1136		
	Adjustable PS (with R profile)	60	644	2030	40	700	2070	596	2016	680	2058	716	2076	-10 / -5
		70	744			800		696		780		816		
		80*	844			900		796		880		916		
		90*	944			1000		896		980		1016		
		100	1044			1100		996		1080		1116		
110	1144	1200	1096	1180	1216									
Adjustable dedicated to PORTA entrance doors	PROJECT, PROJECT PREMIUM for doors: AGATE, OPAL, QUARTZ, GRANITE	60	644	2030	40	675	2055	596	2016	656	2046	686	2061	±10 / ±5
70	744	775	696			756		786						
80*	844	875	796			856		886						
90	944	975	896			956		986						
100	1044	1075	996			1056		1086						
110	1144	1175	1096	1156	1186									
Adjustable dedicated to PORTA technical doors	PROJECT, PROJECT PREMIUM to doors EI30, Rw 27 dB, Rw 32dB	80	844	2030	40/44 44/48 45/47	900	2070	796	2013	880	2055	936	2086	±10 / ±5
		90	952			1010		904		988		1044		
		100	1044			1100		996		1080		1136		
	PROJECT, PROJECT PREMIUM to EI60 doors	60	668	2030	61/65	725	2070	622	2013	706	2055	762	2083	±10 / ±5
		70	768			825		722		806		862		
		80	868			925		822		906		962		
		90	968			1025		922		1006		1062		
		80	888			915		810		894		950		
		90	988			1015		910		994		1050		
		100	1088			1115		1010		1094		1150		

* **ATTENTION!** Investor's orders (opening 800, 900 mm) – available as standard – no extra charge (investment norm - 8 mm must be added to O_w). Please remember to select the correct size of door leaves for the particular set.

** The use of metal threshold will decrease given size by 16 mm.

** The door leaf thickness measured on vertical edges / more information in Investment Catalogue.

NOTES:

- Size tolerance in accordance with the Polish Standard (PN): up to 1 m: ± 1 mm, above 1 m: ± 2 mm.
- Door frames are designed for installation on completed floors. Metal frames may be ordered 30 mm longer, to mount their ends in concrete. Then, the H_B and H_Z must be increased by 30 mm (level_{1,-30'}).

COMPREHENSIVE OFFER OF PORTA GROUP

A wide selection of Porta doors allows you to choose the right product according to both the customer's taste and needs. We continuously follow the trends in design, to make our offer valid and attractive. We make sure that the product colours meet the customer's tastes. At the same time we pay attention to detail, which is why Porta is a brand that combines functional solutions with high quality.



INTERIOR DOORS in synthetic veneers

We offer a wide range of door designs and veneers for houses, apartments, lofts and offices. Both lovers of classic designs as well as people interested in the latest trends will find a product meeting their needs in our offer.



INTERIOR DOORS in natural veneers

For the lovers of good taste, impressive and elegant solutions, we have prepared a collection of doors in natural veneers. Here you can find both traditional and modern doors.



INTERIOR ENTRANCE DOORS

Porta interior entrance doors are available as reinforced doors, fireproof doors and burglarproof doors. It is worth mentioning that the entrance doors have the same colour scheme as the doors to the rooms. Therefore, it is easy to match the colour of the entrance door to the doors inside the apartment.



EXTERIOR ENTRANCE DOORS

Exterior doors complement the style of the building, as well as provide protection against noise, cold and moisture. Porta doors have exceptional thermal insulation properties, which combined with the use of effective anti-theft solutions ensure a sense of security and comfort.



TECHNICAL DOORS

Technical doors are an indispensable complement to the series of doors used in public buildings, shopping malls, cinemas, etc. Such doors can also be found in use in residential houses. A wide range of Porta technical doors allows to meet all the requirements of the building in the area of fire protection and sound insulation.



STEEL DOORS

The use of high-quality galvanised and acid-proof steel allows us to offer doors resistant to weather conditions and aggressive environments in laboratories, swimming pools, etc. Steel doors are perfect for technical areas of commercial buildings, garages, basements and areas with increased hygienic requirements.



DOOR FRAMES, TRANSOMS

A wide range of Porta door frames, both steel and wooden, makes it possible to match the parameters and properties that meet all the expectations of the designer or user. The same type and colour of the veneer as the door leaf allows us to offer a complete door set with uniform visual and functional parameters.



PANELS, BUILT-IN FURNITURE

Continuously growing interest in door portals and all kinds of built-in furniture was reflected in Porta's product offer. We offer wall panels made of panels with a properly chosen thickness and any size, veneered with the same veneer as the door. This allows us to create complex, visually uniform built-in furniture in the immediate surroundings of the door.

We will adapt door frame to your needs

Fill in empty spaces with sizes of your door frame

Hinge socket type VX

Hinge socket type V

Hinge socket type Anuba

1. hinge reference line (BBL)

3. hinge reference line (BBL)

2. hinge reference line (BBL)

level „0”

Ow

Os

To single-rebate door leaves

To double-rebate door leaves

Hinge type:

50

30

50

A =

B =

C =

D =

Left

Right

Additional information:

Ow - height of clear opening in door frame
Os - width of clear opening in door frame

K Orders not included in standard offer are proceeded by dedicated Contract Department.



Set consisting of door frame and stainless steel door leaf used in a medical laboratory

